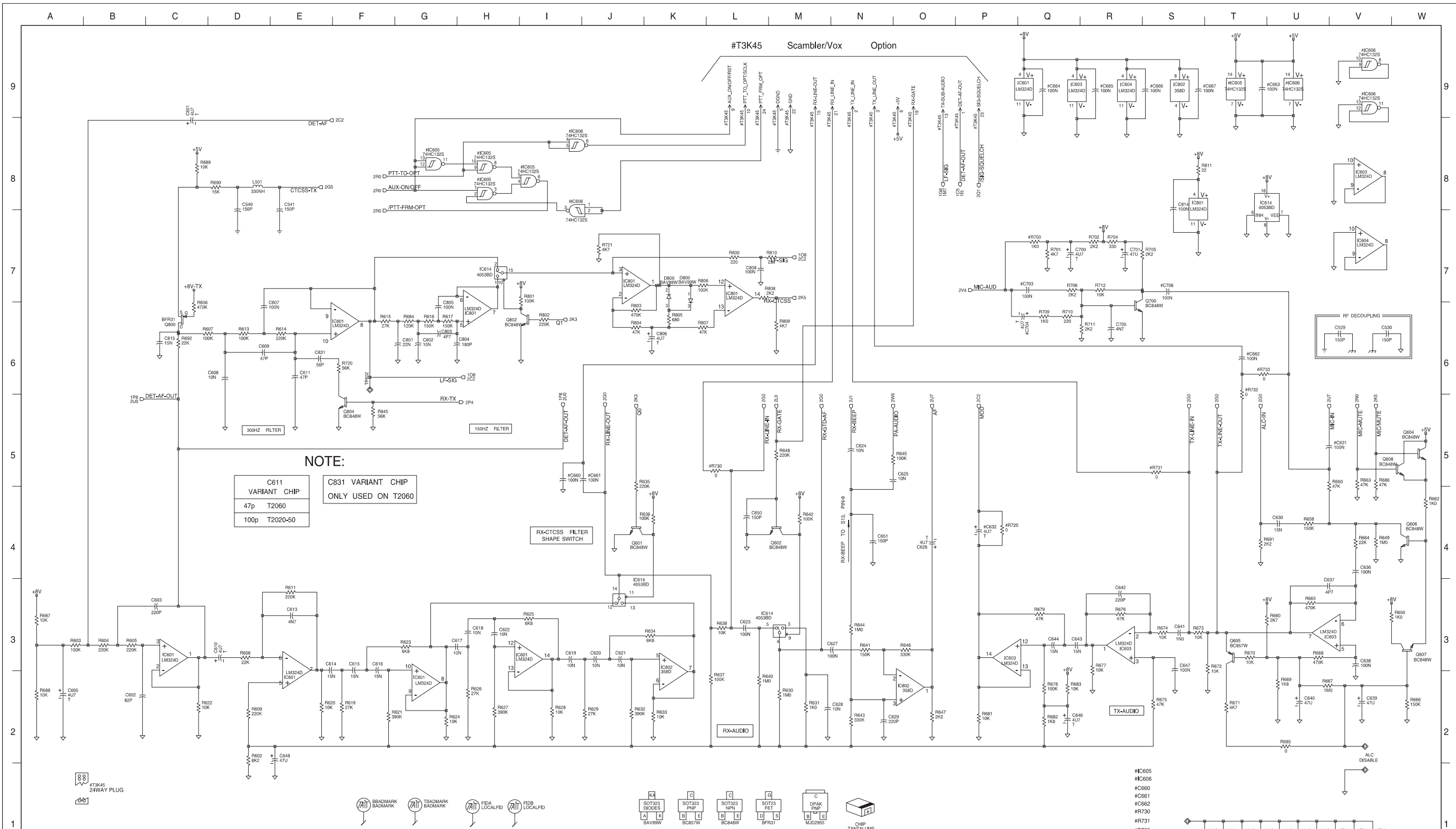


T2020, T203X, T2040, T2050 & T2060  
HC11 Logic PCB Layout  
Bottom Side  
IPN 220-01344-04





**NOTE:**

C611	VARIANT CHIP
47p	T2060
100p	T2020-50

C831 VARIANT CHIP  
ONLY USED ON T2060

#

#OPTION	RAM	STADARD OR FFSK PRE-EMP	MICROPHONE	CONTROLHEAD	TRUNKED OR CONVENTIONAL OR LTR	CONNECTORS FOR A DATA RADIO	VARIANT INDICATORS
T2050	X2E012	M48Z35MH1TR	-	-	-	-	-
T203X	X2E014	M48Z18	-	-	-	-	-
T2030	X2E015	M48Z18	-	-	-	-	-
T2040	X2E016	M48Z18	-	-	-	-	-
T2060	X2E017	M48Z18	-	-	-	-	-
T203XD	X2E018	M48Z18	-	-	-	-	-
T2040D	X2E019	M48Z18	-	-	-	-	-
T203X	FRENCH01	M48Z18	-	-	-	-	-
T2040	FRENCH02	M48Z18	-	-	-	-	-
T2050	FRENCH03	M48Z35MH1TR	-	-	-	-	-

REV/ISS	AMENDMENTS	DRAWN	CHKD	D.O.	APVD	DATE
4A	ADD/UPDATE COMPONENTS/DEVICES	RFS				02/07/97
3A	MOVED RX-CTCSS TRACK	MHALL				5-7-96
2A	SEL/CALL/DSP CONNECTIONS	SD				
1A	JUST A COUPLE OF SMALL MODS -NOT!	DBH				

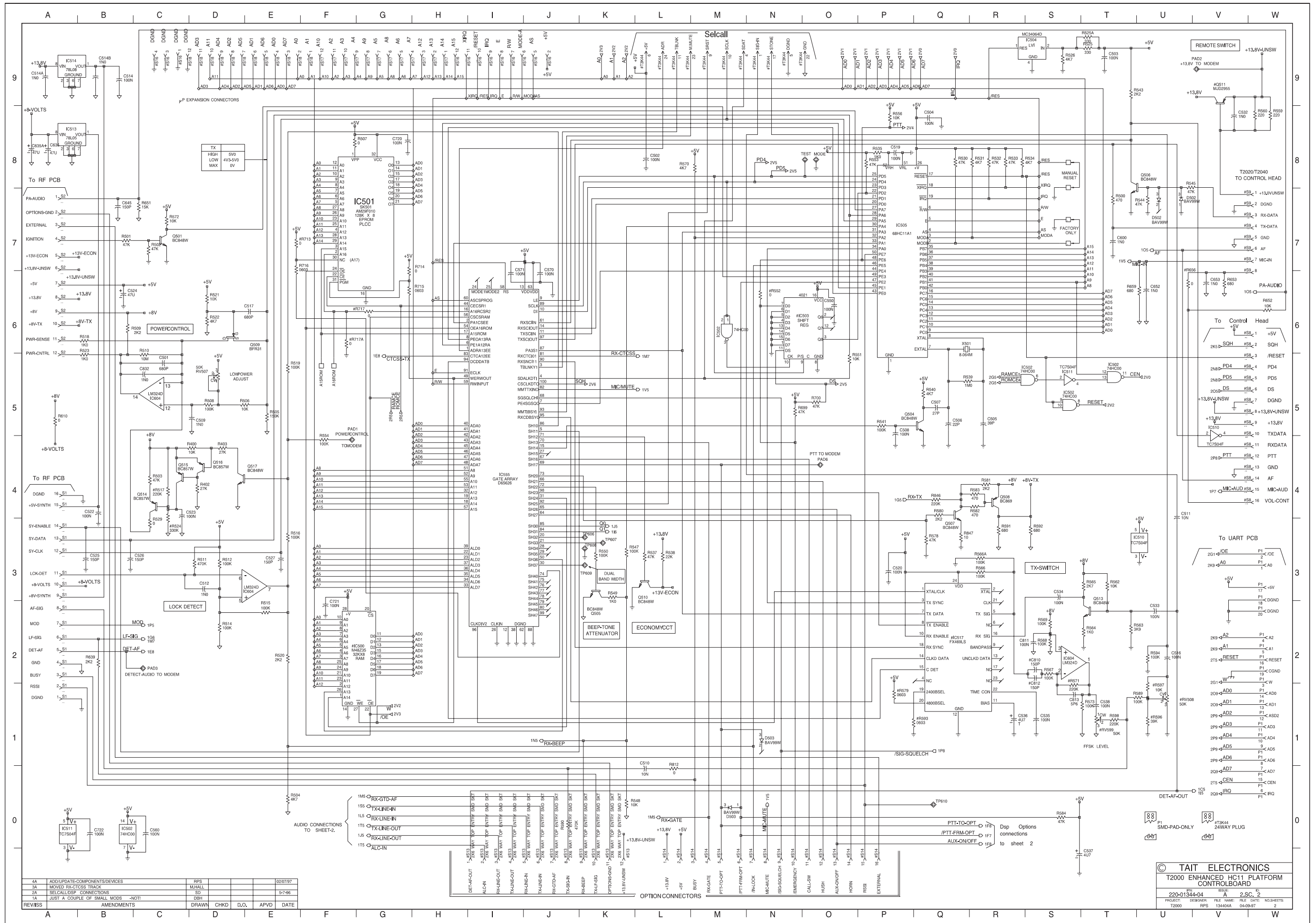
QTY: 1.0 IPN: 002-20290-10 IC AM29P010-120JC 128KX8 FLASH (MECH PART)PLCC32

FITTED FOR PROTOTYPE BUILD

TAIT ELECTRONICS  
T2000 ENHANCED HC11 PLATFORM  
AUDIO CTRY

REV: 2.5C.1  
PROJECT: 220-01344-04  
DESIGNER: 134404A  
FILE NAME: 04-09-97  
FILE DATE: 04-09-97  
NO. SHEETS: 2





REV	DESCRIPTION	DATE
4A	ADD/UPDATE COMPONENTS/DEVICES	02/07/97
3A	MOVED RX-CTSS TRACK	
2A	JUST A COUPLE OF SMALL MODS -NOT!	5-7-96
1A	REVISED	

© TAIT ELECTRONICS  
 T2000 ENHANCED HC11 PLATFORM CONTROL BOARD  
 IPN 220-01344-04  
 PROJ: T2000 RPS 134404A 04-09-97